

1-1

CHERRY AND RELATED FAMILIES

VOLUME 1

April 18, 1993

Robert D. Stephens III
William B. Cherry II

**Manuscripts & Folklife Archives
Library Special Collections
Western Kentucky University**

Table of Contents

Introduction	1
Disclaimer	1
List of Credits	1
Terminology for Relatives	1
About the Genealogy Data	2
Family Tree	3
Sources	22

Introduction

I wish to thank all of the family members, friends, correspondents, and genealogists who supplied information and encouragement for this genealogy. In particular I wish to thank my Uncle William Bailey Cherry II who was collecting family information before I knew how to spell genealogy.

Disclaimer

We are aware that this genealogy contains some inconsistencies of dates, places, names, and relationships and, therefore, factual, errors. When misinformation appears, it is often passed from one researcher to another. Often it is not possible to assure accuracy. The same given names may be used again and again in various branches of the same nuclear family. The name, George Washington Cherry, for obvious reasons, is a good example of this. Where evidence of reasonable accuracy exists we chose to include the data in the hope that those with more accurate knowledge would inform us of errors. Thus, the genealogy becomes the basis of its own self improvement.

List of Credits

Individuals: Jewell Cherry Falls Allen, V. LeRoy Almond, Imogene Young Ashby, Frances Willard Cherry Bradsher, Lousie Cherry Breast, Mary Cherry Mitchell Burke, David Challinor III, Mary Crimmins Challinor, Dr. Robert Bingay Challinor, Authur Ray Cherry, Catherine Field Cherry, Edmond B. Cherry, Felia Meredith Cherry, Geneva Spillman Cherry, Harry Wendell Cherry, John Robert Cherry II, Kathryn Challinor Cherry, Lorna De Foe Cherry, Martha Sullivan Cherry, Nancy Louise Herron Cherry, Samuel Davidson Cherry, Terriann Hughes Cherry, Thomas Crittenden Cherry II, Robert Howard Coleman, Anne Challinor Darling, Geneva C. Dick, Adina Young Dingman, Elsie Doke, Kathryn Darling Finley, Marilyn Folden, Shari H. Franke, Hilary Cherry Gardner, Jeanette Gott, Prentice Lay Gott, Louise E. Little, Cherry Lowman, Shepard Cherry Lowman, Nellie Grace Cherry Mitchell, Elizabeth Best Moir, Charles W. Palmer, Jr., Cherry Cartwright Parker, Frances Raymer, William Harold Runner, Mary Elizabeth Martin Ryon, Marian Cherry Salazar, Marie Falls Schweizer, Morton F. Stahl, Marcia Cherry Stasney, Catherine Celeste Steger, Susan Crosby Taliaferro, Thomas Cherry Tichenor, Pauline Martin Webster, and Hazel Voris.

Note: We are especially grateful to Imogene Young Ashby, to Gerald F. and Mary Burke, to Kathryn Challinor Cherry, to Samuel Davidson Cherry, to Edmond B. Cherry Jr., and to Morton F. Stahl for giving us access to their family histories.

The assistance given us by Celeste Steger of Trenton, Ky., by Shari H. Franke of Ogden, Utah, and by Mary and Robert Pierson of Gautier, Ms. has been invaluable in adding accuracy and interest to this genealogy.

Terminology for Relatives

Because many people including the writers are confused about family relationships, the correct expression of the most common problems is as follows:

1. Your 1st cousin is the son (or daughter) of your father's (or mother's) brother (or sister).
2. The son (or daughter) of your 1st cousin is your 1st cousin once removed.
3. The son (or daughter) of your 1st cousin once removed is your 1st cousin twice removed, etc.
4. Your 2nd cousin is your grandparents brother's or sister's grandchild.
5. Your 3rd cousin is your great-grandparents brother's (or sister's) great-grandchild.
6. Your grand-nephew (or niece) is the grandchild of your brother (or sister).

7. Your great-uncle (or aunt) is the brother (or sister) of your grandparent.

About the Genealogy Data

Each individual is assigned a unique Id (Identification) number. This number is appended to the corresponding individual name when the name is printed (such as a child, spouse, Family Group, etc.) and provides a quick reference to the Individual Information. For example George Washington Cherry I-40 indicates his Id is number 40. Also each Family is assigned a unique FId (Family Identification) number which provides a quick reference to the Family Group. The Index is a alphabetical listing of all individuals with their Id and all pages that reference the individual.

The Marriage Data section for each individual contains the number of named children (when applicable) for this marriage. This number of children are included in this genealogy. For some individuals the notes indicate a different number of children and the difference between the two numbers indicates that some of the childrens names are unknown.

I'm continuing to collect and update information on the family and would appreciate any information that you have. If possible send the corrected pages from this document, otherwise please include the Id or FId for corrections. For additions I have blank forms if you prefer. You can contact me at:

Robert D. Stephens (Bob)
1016 Burlwood Dr.
San Jose, Ca. 95120

(408) 997-1398

Family Tree

The following pages consists of several family groups for the family tree. For those family groups that contain more than one page lay the pages out on a flat surface. The pages for a family group should be laid out left to right (2 pages maximum width) and then top to bottom.

Cherry _____ Jane
 xxxxx-xxxx F776 Smith
 Id: 1853 1680 Id: 1854

John David _____ Margaret
 Cherry _____ Cherry ?
 1690-1790 F114 xxxxx-xxxx
 Id: 285 xxxxx Id: 286

David Cherry Family

William _____ Charlotte
 Cherry I _____ Council
 xxxxx-xxxx F770 xxxxx-xxxx
 Id: 1838 xxxxx Id: 1839

See Joseph
 Taylor I Family
 for Parents
 FId: 96

William _____ Lottie
 Cherry II _____ Hopkins
 1762-1828 F115 xxxxx-xxxx
 Id: 242 1784 Id: 287

Frances
 Taylor _____
 1784-1852 F96
 Id: 243 1805

Obediah
 Cherry _____
 1785-xxxx
 Id: 758

Tommy Frances _____ Enoch
 Cherry _____ Floyd
 1788-xxxx F317 xxxxx-xxxx
 Id: 752 1810 Id: 760

Joseph Taylor
 Cherry I _____
 1806-1861
 Id: 290

Allen A
 Cherry _____
 1808-1891
 Id: 291

Frances _____ Evan B
 Cherry _____ Bradley
 1810-xxxx F119 xxxxx-xxxx
 Id: 292 1835 Id: 301

Jane _____ Jacob
 Cherry _____ Boucher
 1790-xxxx F318 xxxxx-xxxx
 Id: 753 1811 Id: 761

See James Taylor
 Family
 for Parents
 FId: 408

Charlotte _____ Obediah
 Cherry _____ Milan
 1814-1894 F120 xxxxx-xxxx
 Id: 293 1842 Id: 302

Samuel _____ Mary Ann
 Cherry I _____ Taylor
 1792-1826 F319 1792-1852
 Id: 754 1813 Id: 762

See James Taylor
 Family
 for Parents
 FId: 413

Adam _____ Runner
 Miller _____ Elizabeth
 xxxxx-xxxx F323 xxxxx-xxxx
 Id: 766 xxxxx Id: 980

Mary Ann Eliza _____ James
 Cherry _____ Ottey
 1816-xxxx F121 xxxxx-xxxx
 Id: 294 1835 Id: 303

Alfred _____ Sarah E
 Cherry _____ Miller
 1813-1873 F437 1813-1873
 Id: 1037 1834 Id: 1038

Benjamin D
 Lankford _____
 F228 xxxxx-xxxx
 xxxxx Id: 532

See James
 Taylor Family
 for Parents
 FId: 116

Fortunatus Pope _____ Mary
 Davenport _____ Moore
 xxxxx-xxxx F443 xxxxx-xxxx
 Id: 1051 xxxxx Id: 1052

Sarah _____ Richardson
 Cherry _____ Manning
 1818-1876 F122 1890-xxxx
 Id: 295 1860 Id: 304

Lavina _____ Allen
 Cherry _____ Taylor
 1794-1878 F405 1789-1879
 Id: 755 1811 Id: 963

Samuel T _____ Mary
 Cherry _____ Davenport
 1835-1866 F438 xxxxx-xxxx
 Id: 1039 1856 Id: 1046

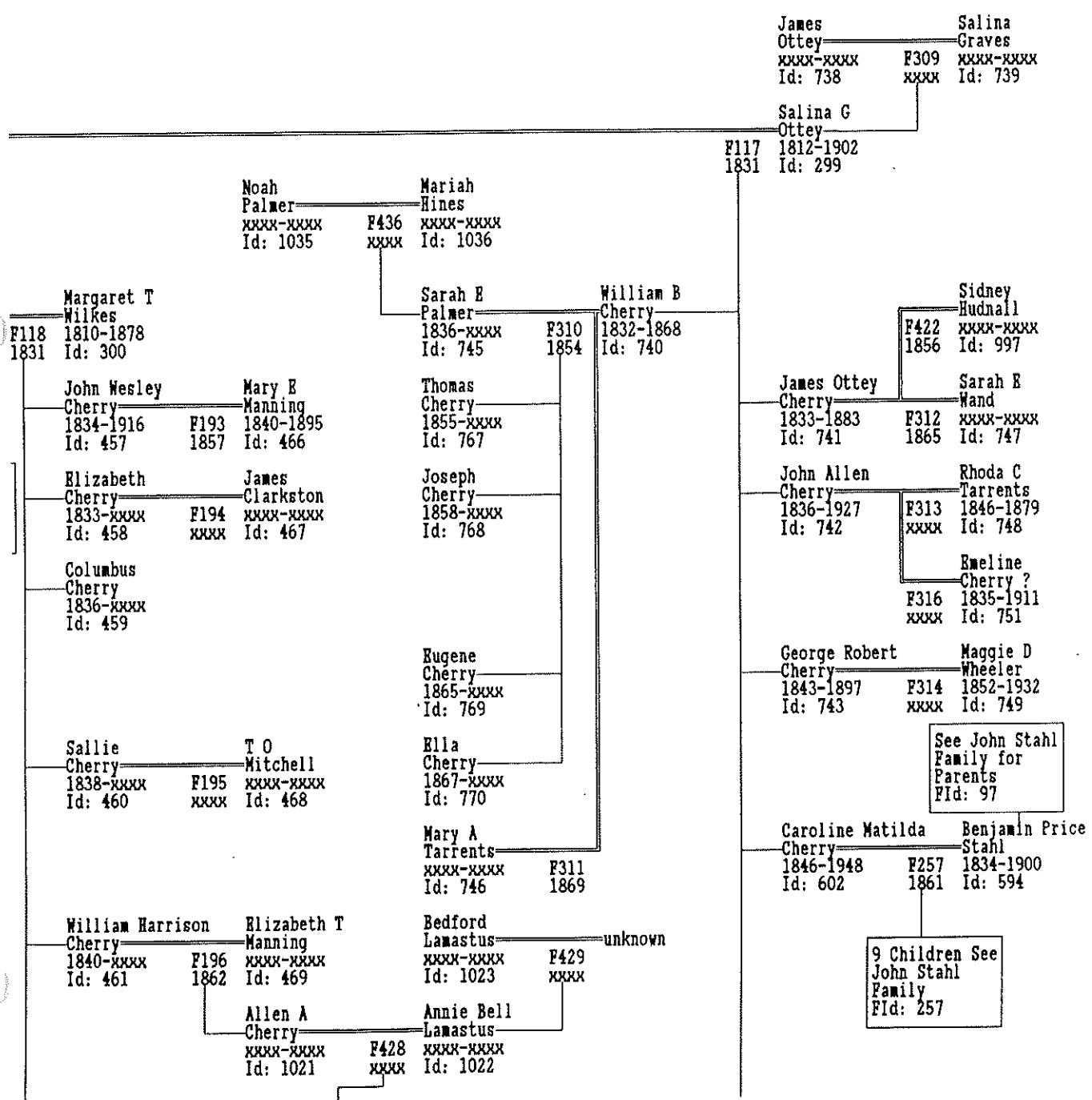
John _____ Sylvia
 Cherry _____ Ford
 1820-1843 F123 xxxxx-xxxx
 Id: 296 1838 Id: 305

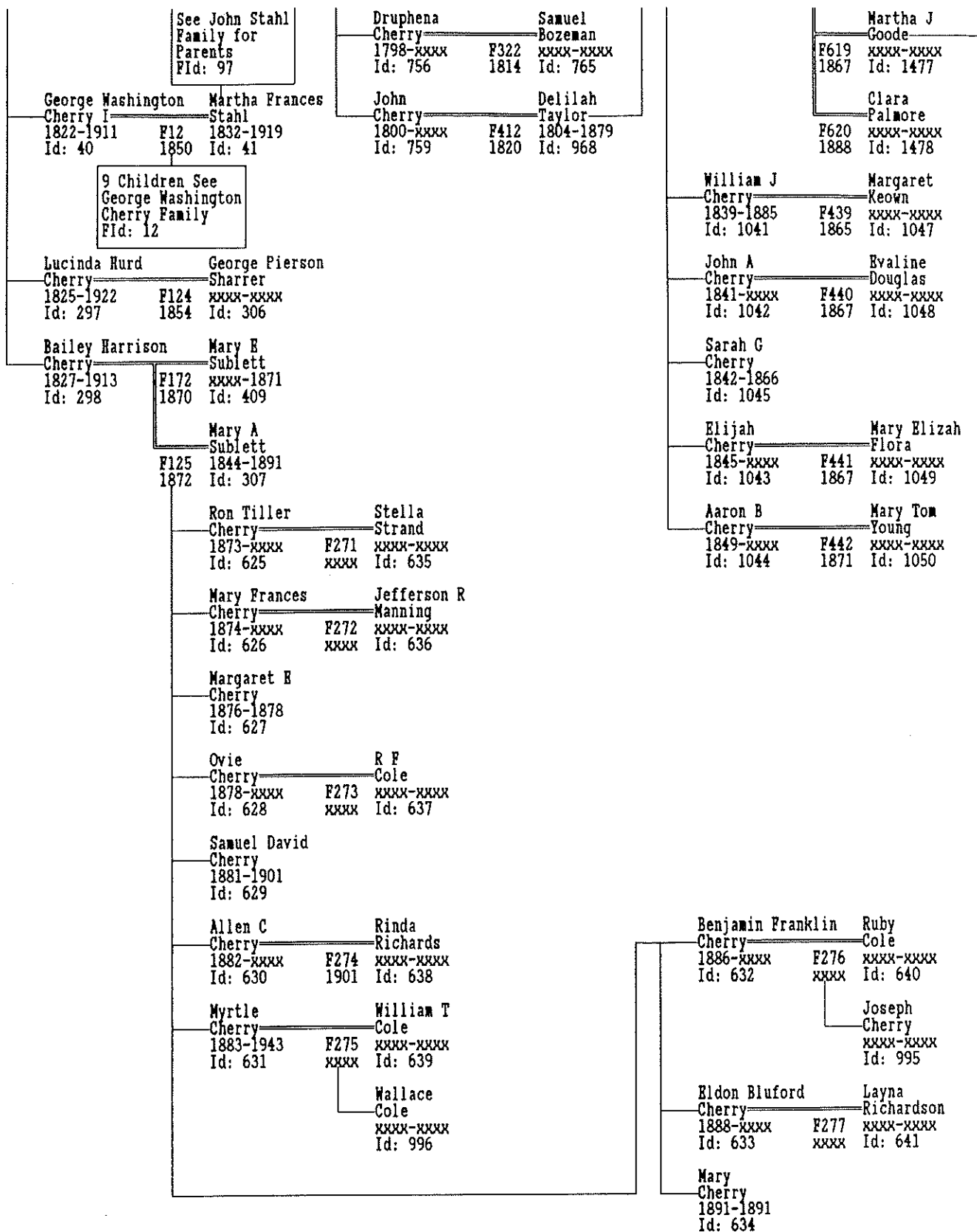
Nancy _____ M James
 Cherry _____ Hill
 1796-xxxx F321 xxxxx-xxxx
 Id: 757 1817 Id: 764

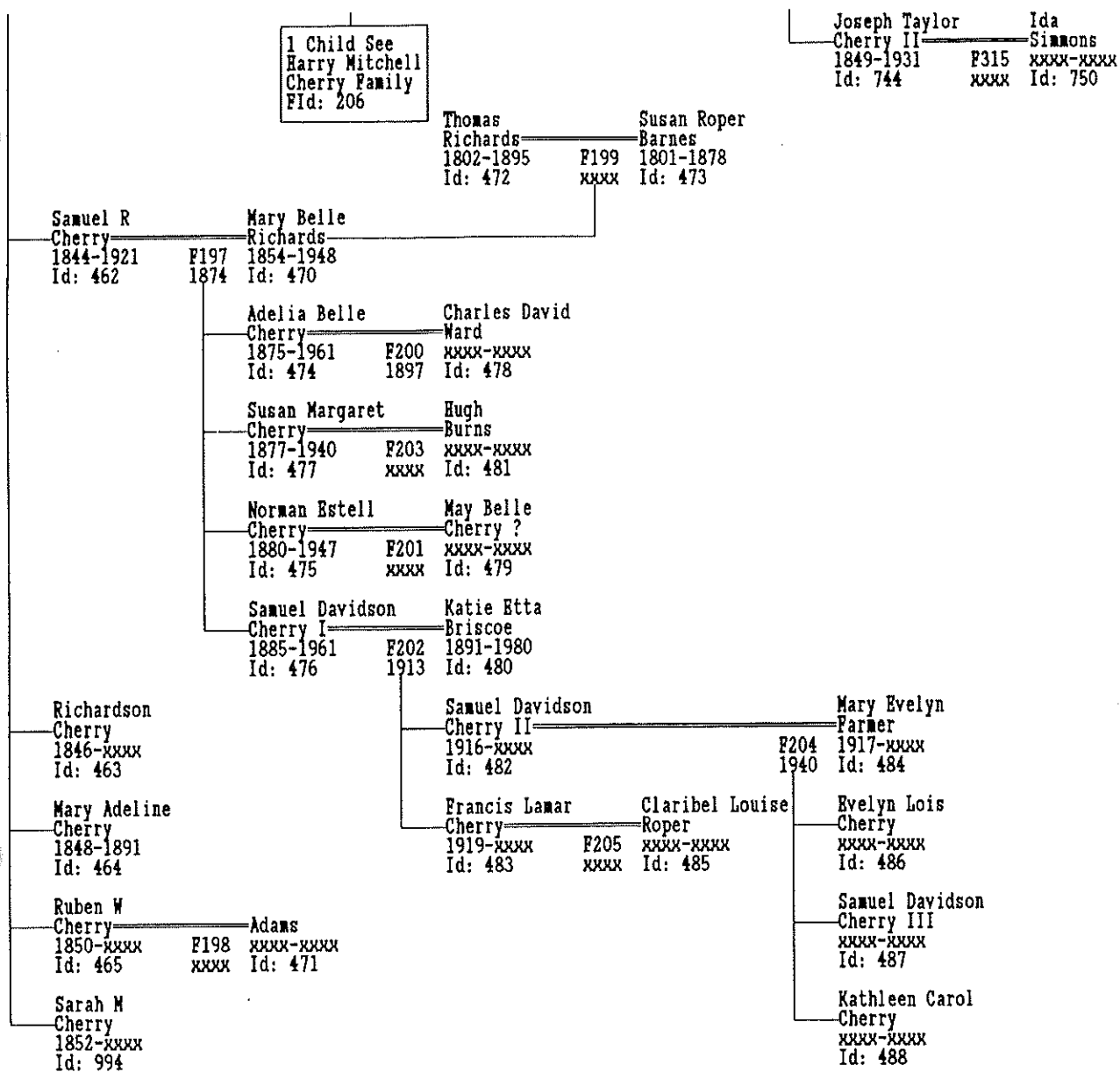
Mary A
 Taylor _____
 F444 1840-xxxx
 1860 Id: 1053

Albert
 Jurnish _____
 F344 xxxxx-xxxx
 1837 Id: 821

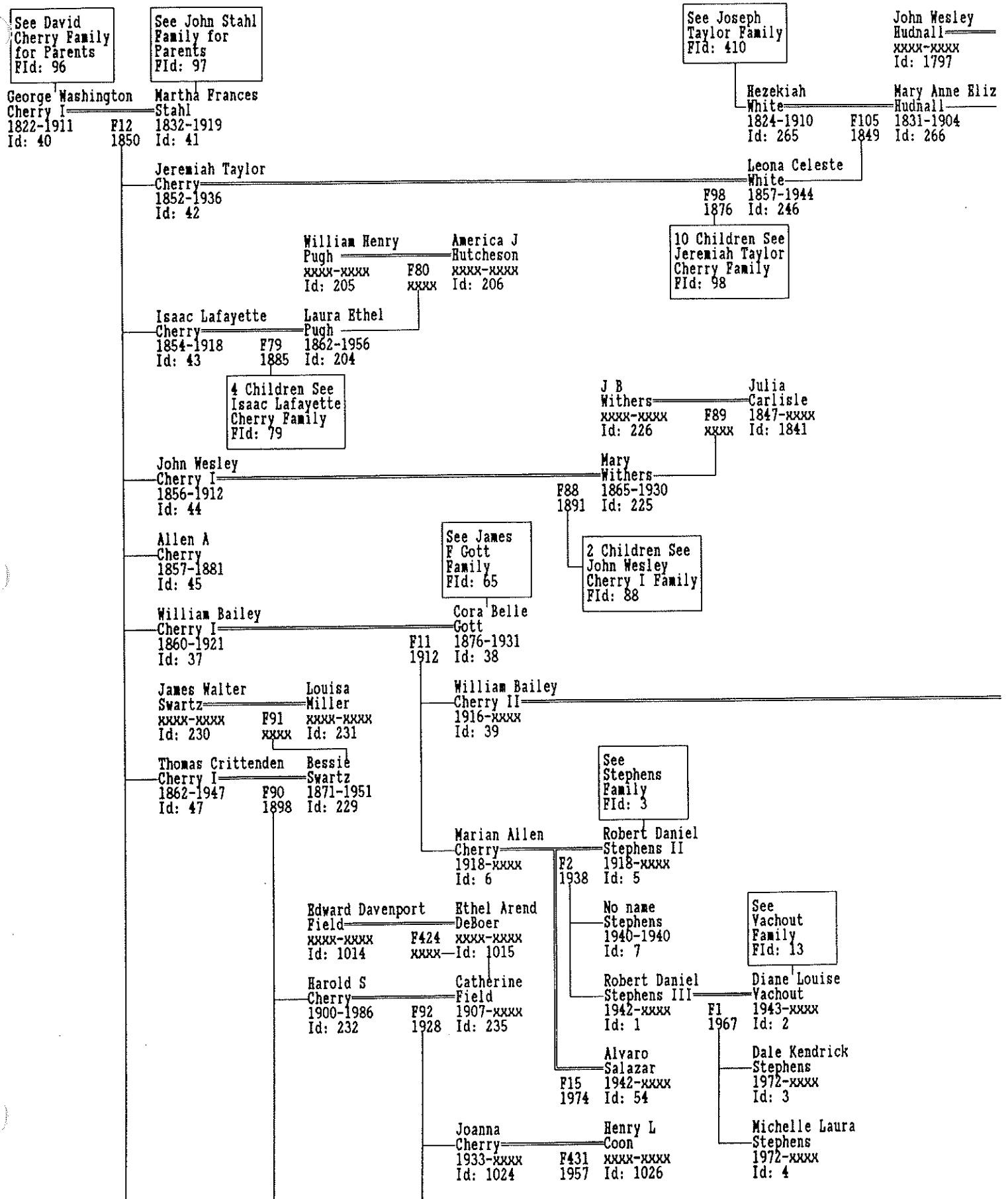
Adam _____ Sarah C
 Cherry _____ Miller
 1836-1927 F618 1842-1860
 Id: 1040 1858 Id: 1476



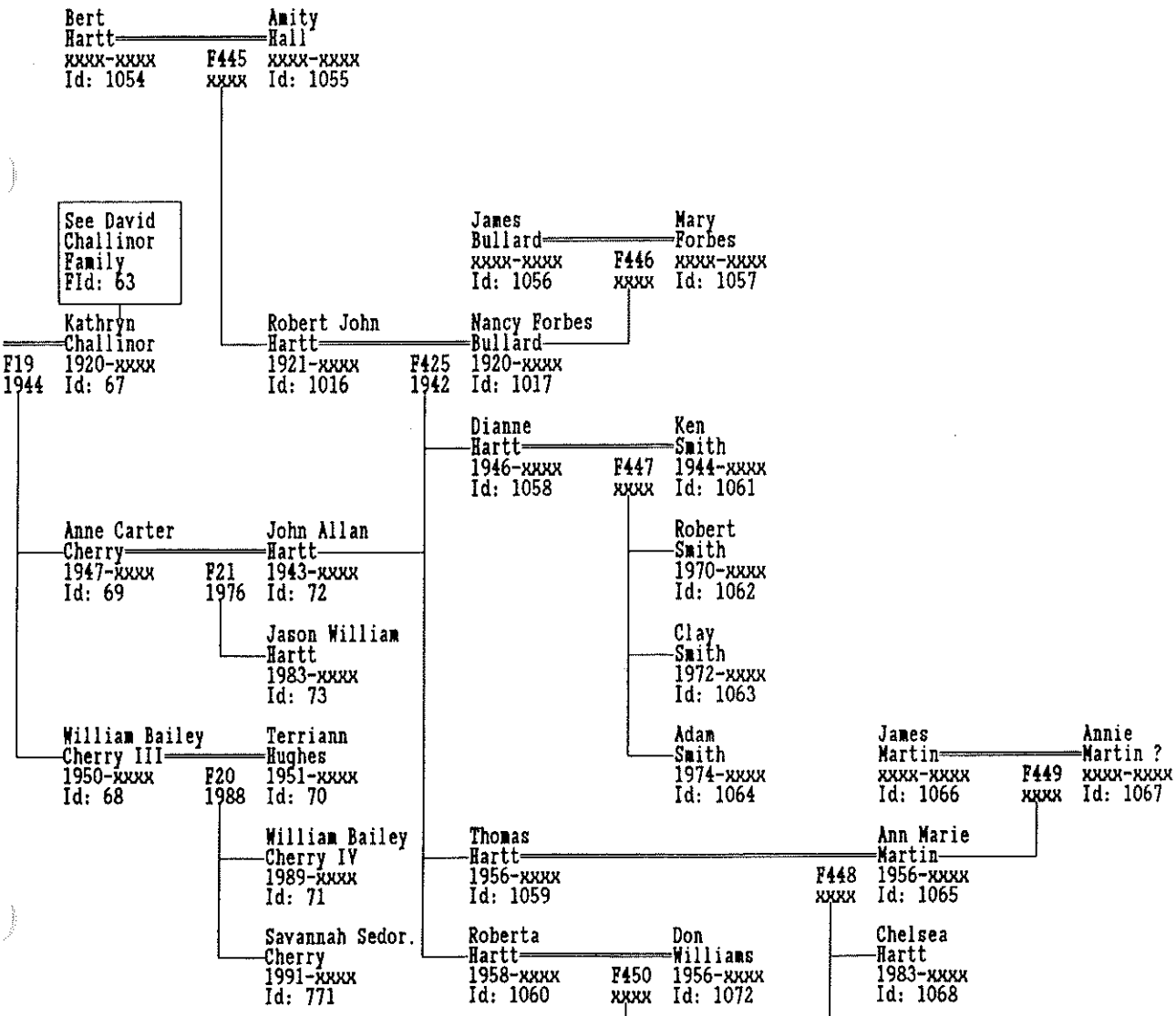


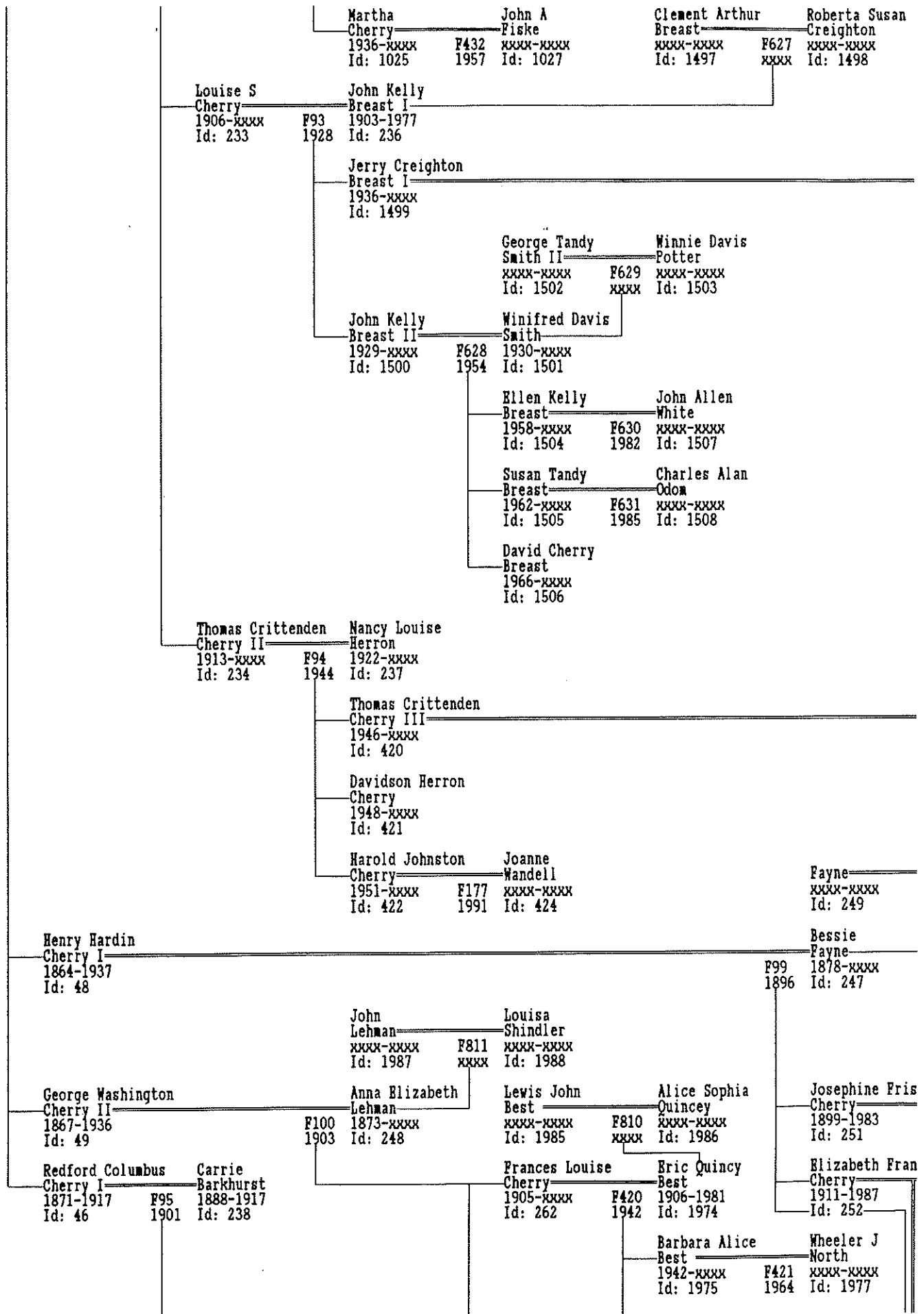


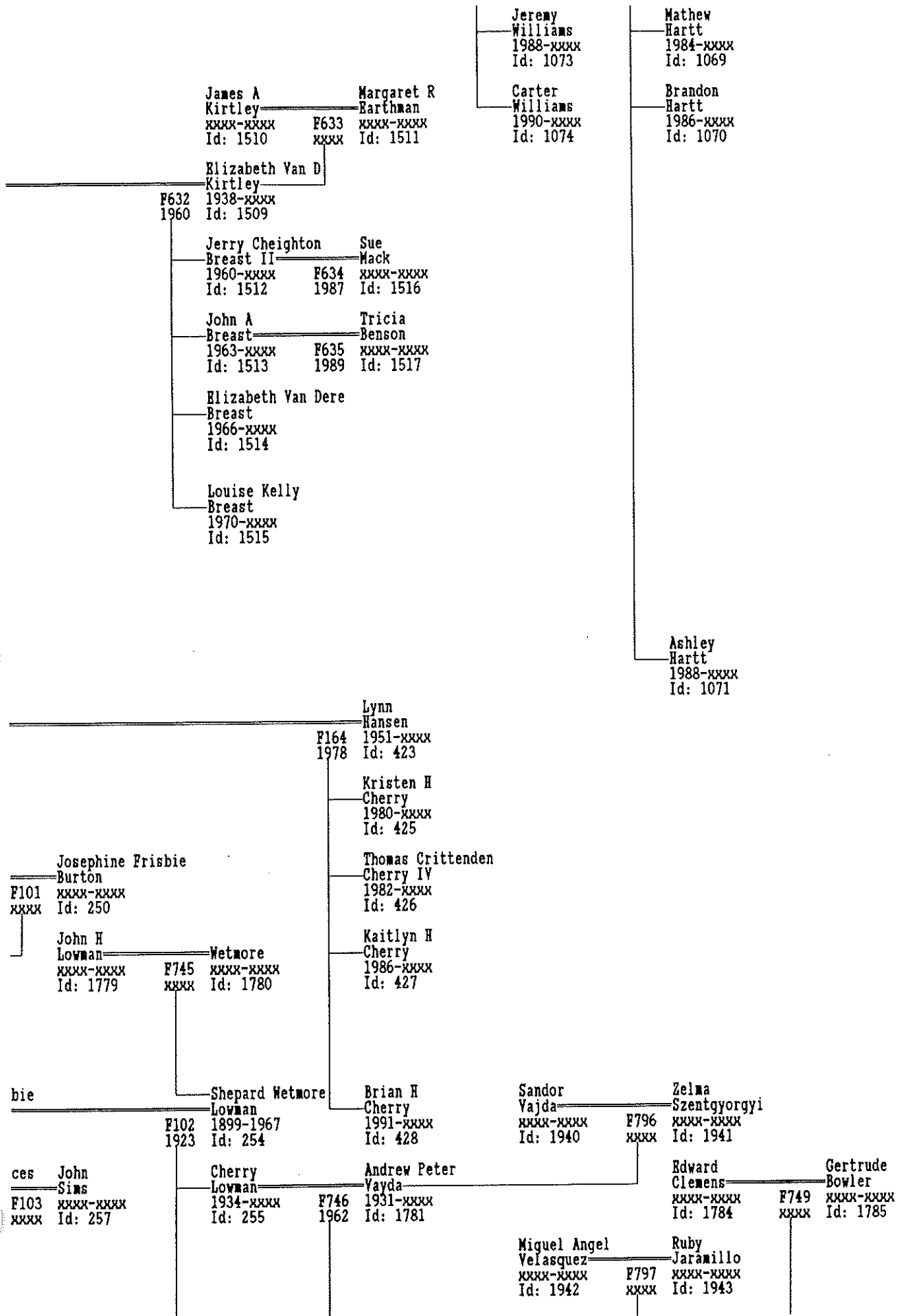
George Washington Cherry Family

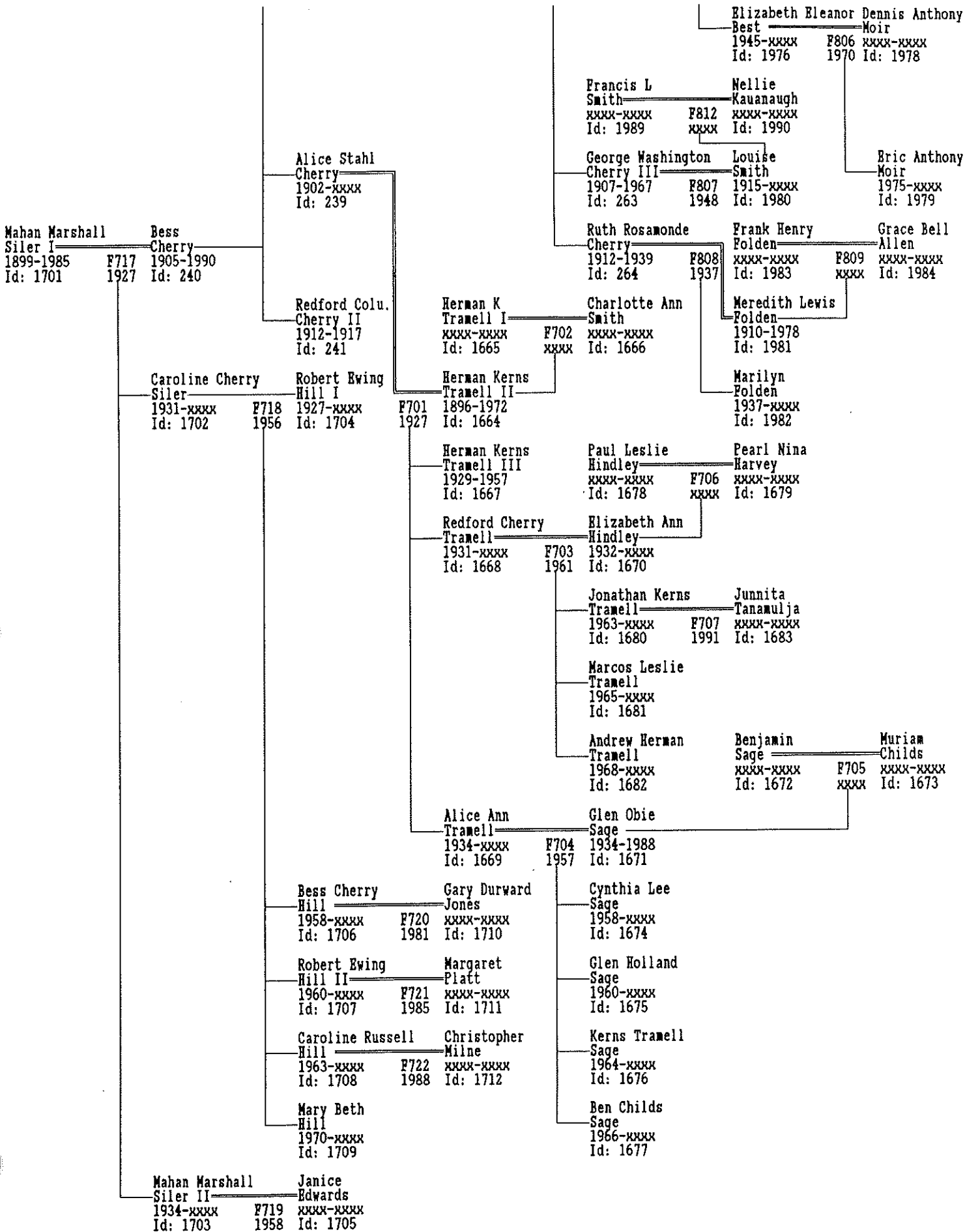


Rachel
Upton
F754 XXXX-XXXX
XXXX Id: 1798









Andrea
 Yayda
 1964-xxxx
 Id: 993

Juan Carlos
 Velasquez
 1960-xxxx
 Id: 992

James
 Kellogg
 F143
 xxxx-xxxx
 Id: 344

Shepard Cherry
 Lowman
 1926-xxxx
 Id: 256

Ann Bowler
 Clemens
 1929-1980
 Id: 1782

James
 Kellogg
 xxxx-xxxx
 Id: 258

Daniel Harrison
 Sullivan
 xxxx-xxxx
 Id: 448

Cora Laird
 Sullivan ?
 F188
 xxxx-xxxx
 Id: 449

F747
 1953

Katherine
 Lowman
 1956-xxxx
 Id: 1786

Thomas
 Carter
 F750
 1980
 xxxx-xxxx
 Id: 1787

Henry Hardin
 Cherry II
 1916-1980
 Id: 253

Martha
 Sullivan
 F104
 1949
 1917-xxxx
 Id: 259

Trinh Van
 Thoi
 xxxx-xxxx
 Id: 1788

Nguyen Thi
 Tay
 F751
 xxxx-xxxx
 Id: 1789

Daniel
 Cherry
 1939-xxxx
 Id: 260

Sylvia Cooper
 Cherry ?
 F189
 1960
 xxxx-xxxx
 Id: 450

Trinh Thi
 Hiep
 F748
 1967
 1939-xxxx
 Id: 1783

Henry Hardin
 Cherry III
 1950-xxxx
 Id: 261

Valorie Tyler
 Cherry ?
 F190
 xxxx-xxxx
 Id: 451

Thomas Trinh
 Lowman
 xxxx-xxxx
 Id: 1790

Mark Sullivan
 Cherry
 1957-xxxx
 Id: 452

John Trinh
 Lowman
 xxxx-xxxx
 Id: 1791

Mary Thuy
 Lowman
 xxxx-xxxx
 Id: 1792

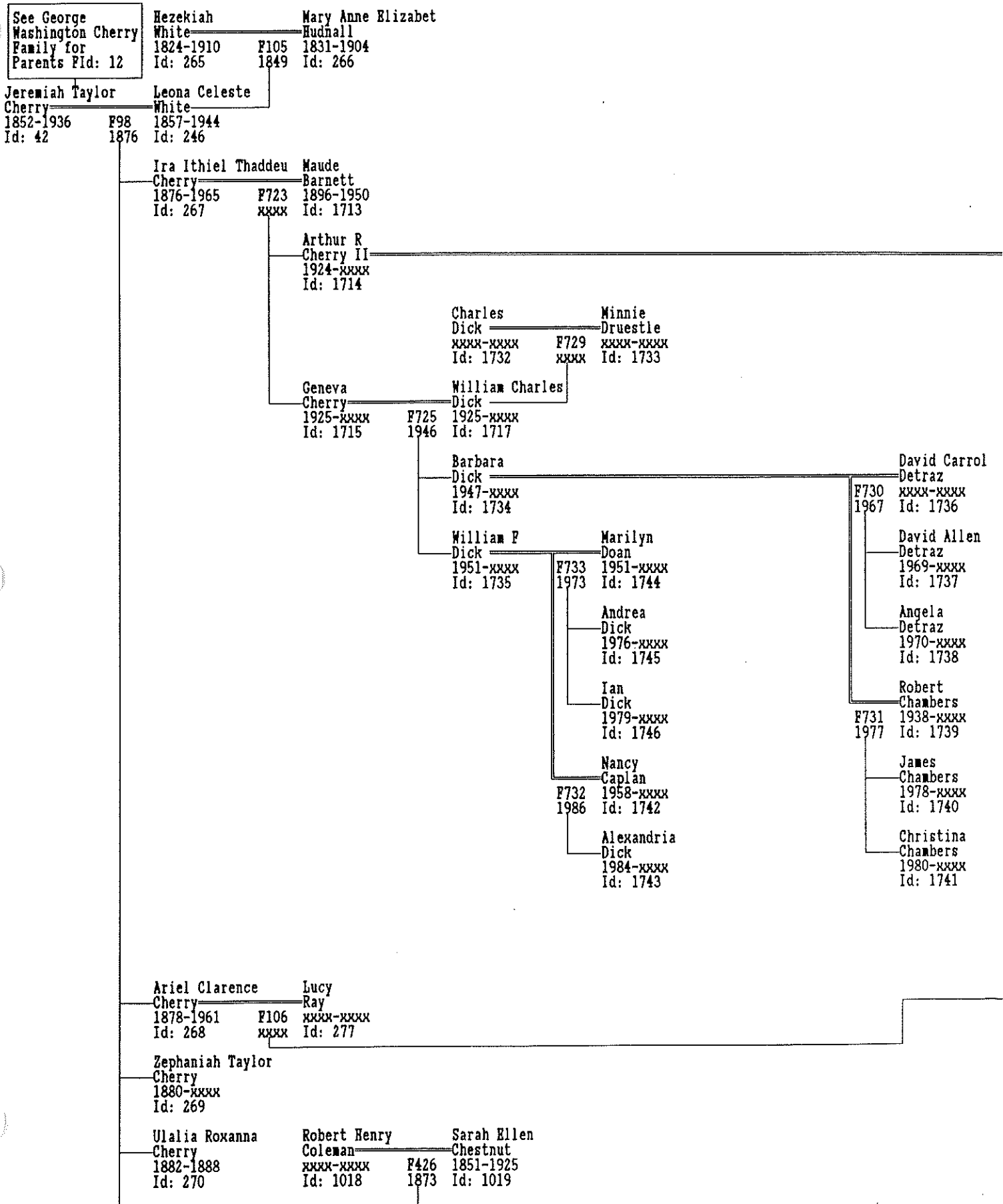
Tom Thong
 Trinh
 F752
 xxxx
 xxxx-xxxx
 Id: 1795

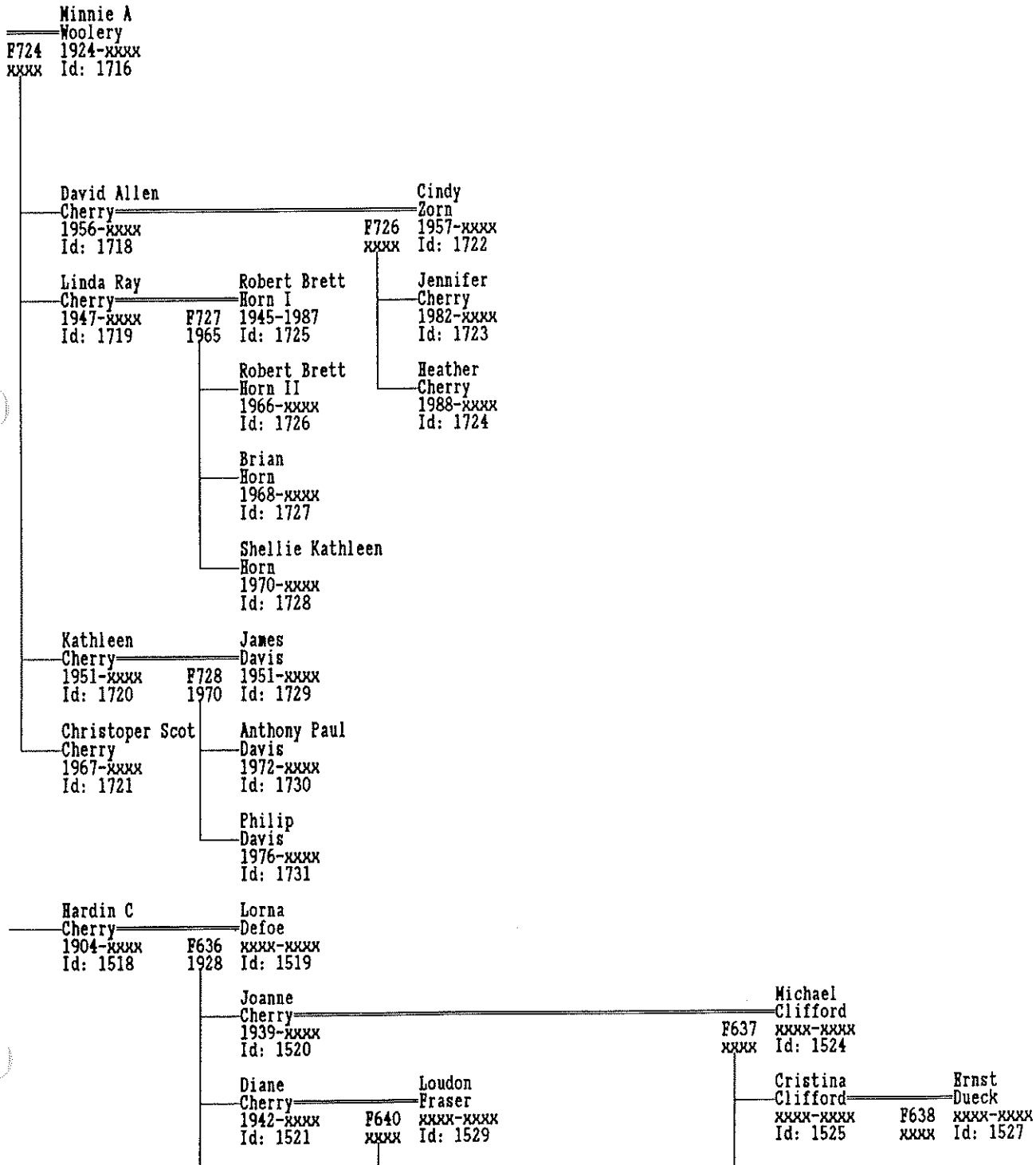
Lina Nhan
 Lowman
 xxxx-xxxx
 Id: 1793

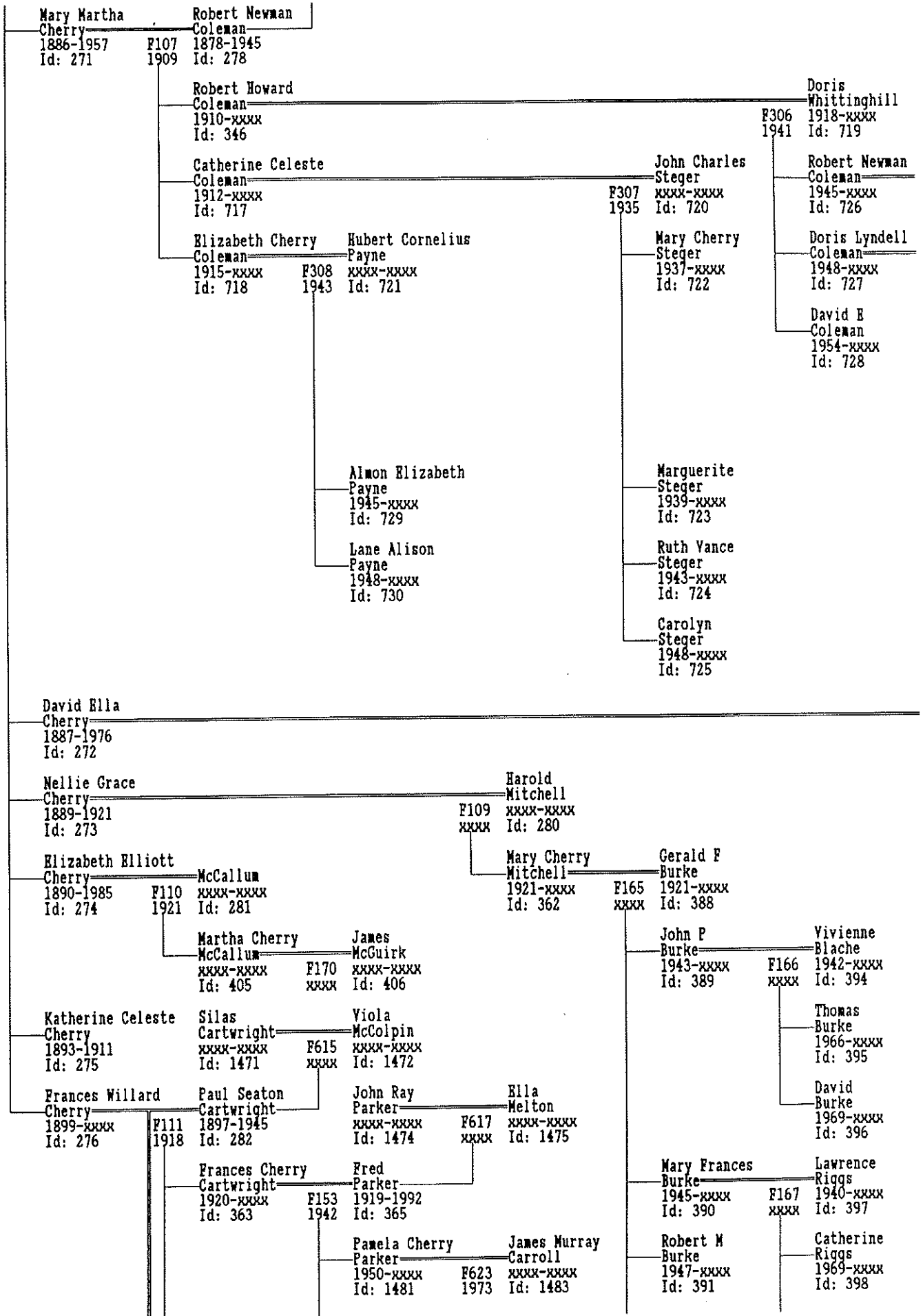
James
 Farley
 F753
 1987
 xxxx-xxxx
 Id: 1796

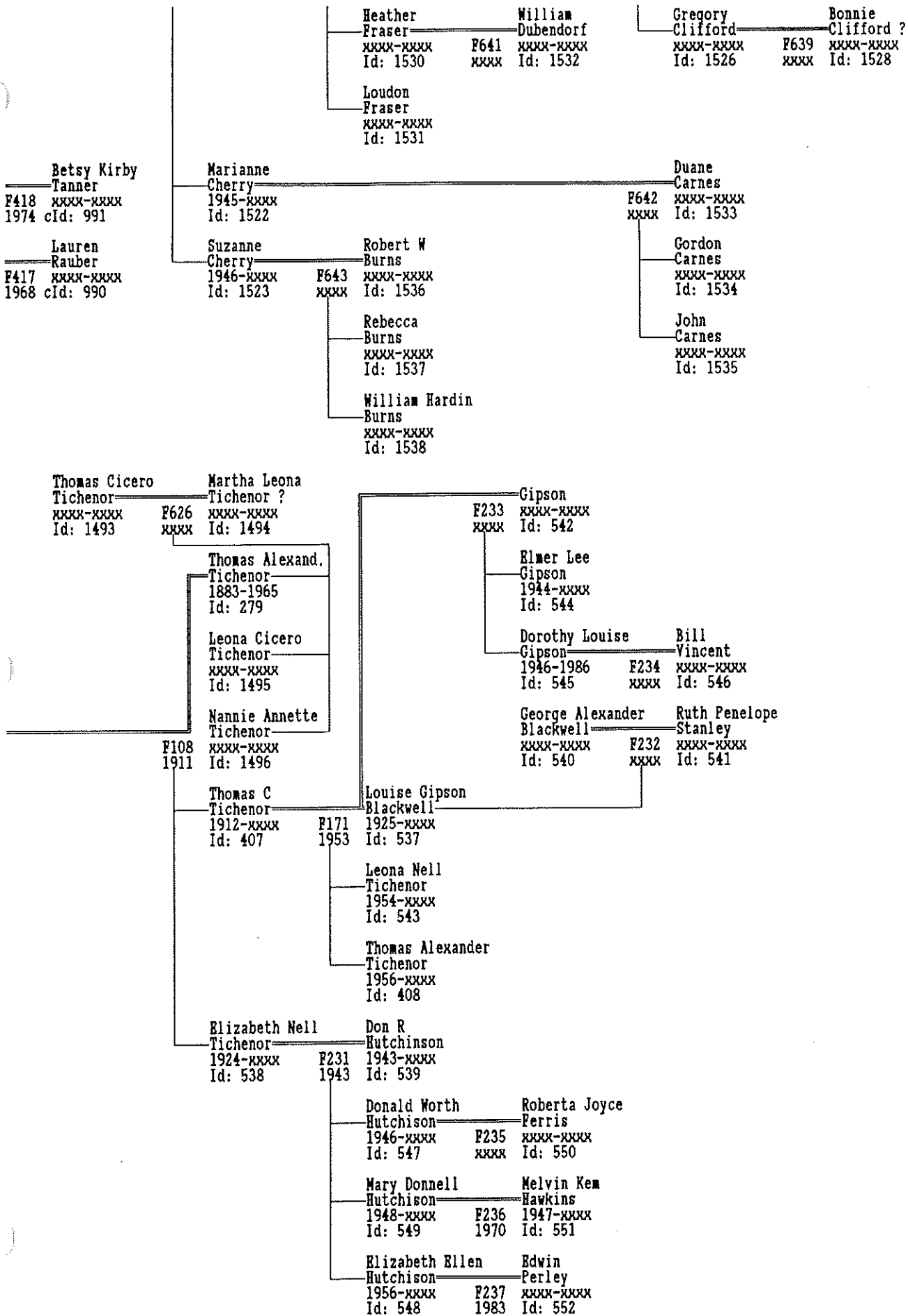
Lisa
 Lowman
 1968-xxxx
 Id: 1794

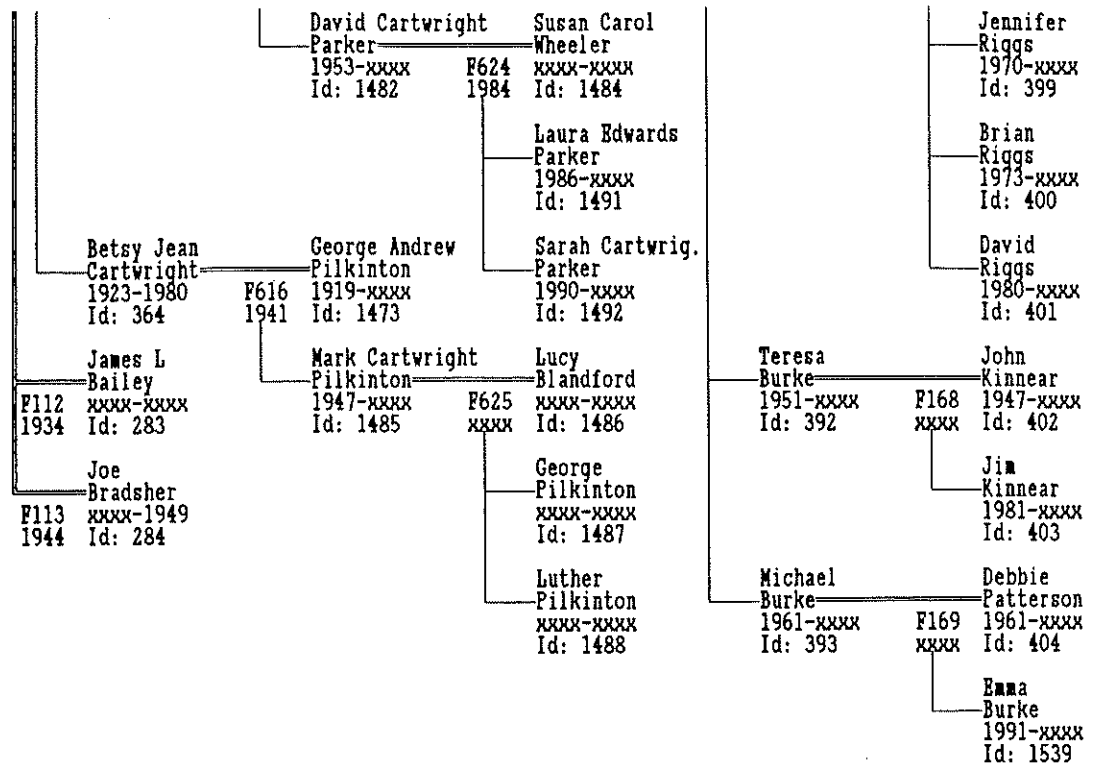
Jeremiah Taylor Cherry Family

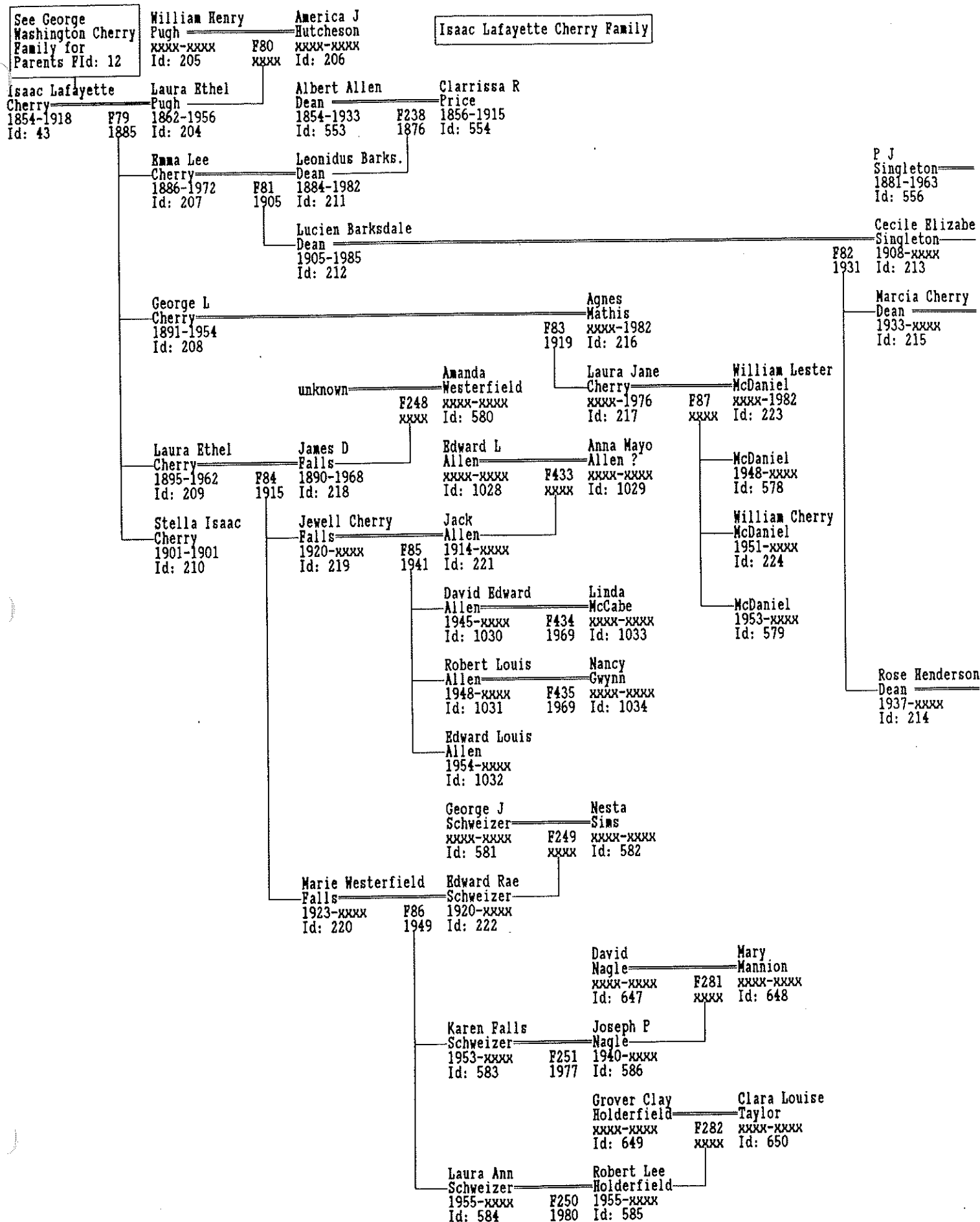


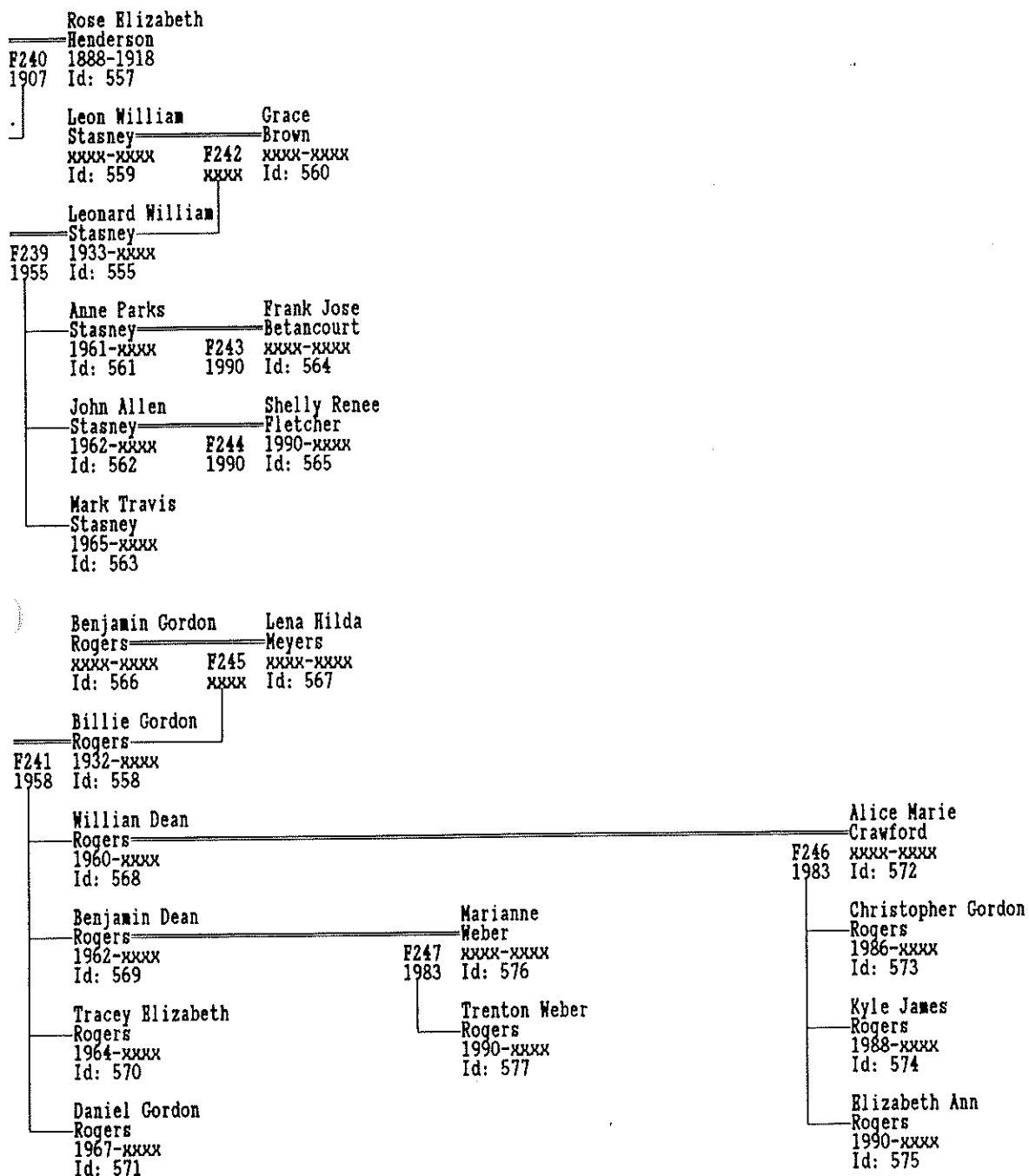












Harry Mitchell Cherry Family

See David
Cherry Family
for Parents
Fid: 428

David Meredith
xxxx-xxxx
Id: 491

Bell Stringfield Meredith?
xxxx-xxxx
Id: 492

F207
xxxx

Harry Mitchell
Cherry
1888-xxxx
Id: 489

Felia Meredith
1890-xxxx
Id: 490

Charles C Spillman
xxxx-xxxx
Id: 519

Ovia Rone
xxxx-xxxx
Id: 520

F221
xxxx

Laymon Strother
Cherry I
1909-1983
Id: 493

Geneva Spillman
1911-xxxx
Id: 506

F208
1934

Fred Cherry
1911-xxxx
Id: 494

Tyline Flora
xxxx-xxxx
Id: 507

F209
xxxx

Harry Wendell
Cherry
1935-1990
Id: 521

Mary Elizabeth Baird
xxxx-xxxx
Id: 526

F222
1955

Chester Cherry
1912-xxxx
Id: 495

Betty Harper
xxxx-xxxx
Id: 508

F210
xxxx

Dorothy O'Connell
Morton
xxxx-xxxx
Id: 527

F223
1977

Alma Iline
Cherry
1914-xxxx
Id: 496

Morris White
xxxx-xxxx
Id: 509

F211
xxxx

Ruth Ann
Cherry
1940-xxxx
Id: 522

William Martin
Holland
xxxx-xxxx
Id: 528

F224
1960

William Ralph
Cherry
1916-xxxx
Id: 497

Emily Green
xxxx-xxxx
Id: 510

F212
xxxx

Douglas Allen
Cherry
1945-1980
Id: 523

Barbara Dillard
xxxx-xxxx
Id: 529

F225
1970

Marvin Meredith
Cherry
1919-xxxx
Id: 498

Louise Elkins
xxxx-xxxx
Id: 511

F213
xxxx

Sue Ellen
Cherry
1948-xxxx
Id: 524

Vanous P
Lloyd
xxxx-xxxx
Id: 530

F226
1969

Henrietta
Cherry
1921-xxxx
Id: 499

Harold Emery
xxxx-xxxx
Id: 512

F214
xxxx

Laymon Strother
Cherry II
1949-xxxx
Id: 525

Martha Carson
Compton
xxxx-xxxx
Id: 531

F227
1972

Virginia Ivey
Cherry
1923-xxxx
Id: 500

Everette Steed
xxxx-xxxx
Id: 513

F215
xxxx

Alma Christobel
Cherry
1925-xxxx
Id: 501

Paul Pruitt
xxxx-xxxx
Id: 514

F216
xxxx

Harry Monroe
Cherry
1928-xxxx
Id: 502

Holine Raymer
xxxx-xxxx
Id: 515

F217
xxxx

Connie
Cherry
1930-xxxx
Id: 503

Weldon Young
xxxx-xxxx
Id: 516

F218
xxxx

Nonnie
Cherry
1932-xxxx
Id: 504

Bobbie Massey
xxxx-xxxx
Id: 517

F219
xxxx

Franklin D
Cherry
1935-xxxx
Id: 505

Daisy Nell
White
xxxx-xxxx
Id: 518

F220
xxxx

Sources

1. Allen, Jewell Cherry Falls, 1992 Personal communication.
2. Almond, V. Leroy, Many news clippings about the Cherry family 1980-1992.
3. Boddie, William W. Marion's Men., Charleston, South Carolina, 1938.
4. Bradsher, Frances, The Preacher Had 10 Kids, Tyndall House Publishers, Inc., Weaton, Ill., 1980.
5. Burke, Mary Cherry, 1990 Personal communication.
6. Cemetery Records of Mt.Olivet Cumberland Presbyterian Church, Kentucky Building Library, Western Ky. University, Bowling Green, Ky.
7. Cemetery Records, Warren Co., Ky.
8. Census of Butler Co., Ky. for 1860.
9. Census of Warren Co., Ky. for 1810, 1850, and 1860.
10. Challinor Family Bible, David Challinor.
11. Cherry, Arthur Ray, 1992 Personal communication.
12. Cherry, Bess Fayne, Parlance of the Kentucky Backwoods, Standard Printing Co., Louisville, Ky., 1933.
13. Cherry, Edmond B. Jr., 1986 Personal communication.
14. Cherry Family Bible, Elizabeth Cherry McCallum.
15. Cherry, Geneva Spillman (Mrs. Layman Strather Cherry), 1985 Personal communication.
16. Cherry, George W. II, Letters from, 1898 and 1921,
17. Cherry, Dr. Henry Hardin, Bodley's History of Kentucky, 4:355-356.
18. Cherry, Henry Hardin, A Prophet Among His Own People The Times Journal, Bowling Green, Ky. Nov. 8, 1934.
19. Cherry, Henry Hardin, Testimonials and Obituary Of, Teachers College Heights Vol 16:3-13, Dec. 1937.
20. Cherry, H. H., Education: The Basis of Democracy, 1926.
21. Cherry, H. H., Our Civic Image and Our Government, 1906.
22. Cherry, Homer, Deed and Marriage, Records of, 1949.
23. Cherry, Lorna De Foe (Mrs. Hardin Cherry), 1992 Personal communication.
24. Cherry, Jeremiah T., Obituary for Nellie Grace Cherry Mitchell and William Bailey Cherry I Too sad deaths, two funerals, two eternal victims. A remarkable letter from a dying bed, the passing of the "Old Cherry Home" and reflections thereupon, News clipping, unknown source.
25. Cherry, Jeremiah Taylor, Memoirs: Minutes of Louisville Annual Conference p.70-71, 1936.
26. Cherry II, John Robert, 1992 Personal Communication to Shari Franke.
27. Cherry, Joseph T., Last Will and Testament Subscribed and sworn to by Allen A. Cherry (brother) and James D. Cherry and John A. Cherry (sons) who were named executors of the will and George Washington Cherry was appointed to appraise the slaves, if any, and the personal property of Joseph T. Cherry, Warren Co. Ky. Court Order Book J. Vol 1:1858-64.
28. Cherry, Martha Sullivan (Mrs. Henry Hardin II.), 1991 Personal communication.
29. Cherry, Nancy Louise (Mrs.Thomas Crittenden II.), 1991 Personal communication.
30. Cherry, Samuel Davidson, 1990 Personal communication.
31. Cherry, Thomas Crittenden and Arndt M. Stickles, The Story of Kentucky, D. C. Heath and Co., 1945.
32. Cherry, Thomas-Crittenden, Kentucky the Pioneer State of the West, D. C. Heath and Co., 1923.
33. Chivington, Marie Turner, 1992 Personal Communication.
34. Crabb, Alfred L., College Heights Herald, Jan., 1934.
35. Crabb, Alfred L., Thomas C. Cherry, Kentucky Filson Club Historical Quarterly, Vol. 19: pg. 115-123, April 1945.
36. Court Records, Marin Co., Ca.
37. Court Records, Warren Co., Ky.
38. Dick, Geneva C., 1992 Personal communication.
39. Ferguson, Nora Young, Family Records of Chastain, Cherry, Edens, Floyd, Gevedon, Hudnall, Maxey, Salle, Taylor, White, and Young, Records of the Kentucky Bldg. Library, Western Ky. University, Bowling Green, Ky.
40. Folden, Marilyn, 1993, Letters and data from.
41. Franke, Shari H., 1992 Personal communication.
42. Gott Family Bible, V. LeRoy Almond.
43. Hall's Chapel Cemetery, Warren Co., Ky., Tombstone Records Of.
44. Harrison, Lowell B., Western Kentucky University, The University Press of Kentucky, Lexington, Ky., 1987.
45. Harry Cherry Family Bible, Felia Meredith Cherry.
46. Howe, George D. D., History of the Presbyterian Church in North Carolina, 1870.

1-25

47. Kentucky: A History of the State, Kentucky Genealogy and Biography Vol 3, by Battle, Perrin, and Kniffen, 2nd. Ed., 1885. Thomas Westerfield Ed., Genealogical Reference Co., P. O. Box 1554, Owensboro, Ky. 42301, 1971.
48. Land, Richard, Gay Issues Force Policy Vote, Atlanta Constitution, June 6, 1992.
49. Little, Louise Smith, 1993, Letters and data from.
50. Marriages, Warren Co., Ky. 1797-1867, Ky. Bldg. Library, Western Ky. University.
51. Mormon Family History Library, Salt Lake City, Utah.
52. Parker, Cherry and Frances Bradsher, The Hand-Me-Down Cookbook, Moore Publishing Co., Durham, N. C., 1969.
53. Perrins, History of Kentucky.
54. Roddey, Wade B., Records of Richburg, South Carolina.
55. Ross, Bobby Gilmer, Roster of South Carolina Patriots in the American Revolution, Genealogical Publishing Co., Inc., Baltimore, 1983.
56. Schwiezer, Marie W., 1990 Personal communication.
57. Social Security Administration Baltimore, Md.
58. Stahl, Morton F., In His Image: The Family of John Stahl, 1980.
59. Stasney, Marcia Cherry, 1991 Personal communication.
60. Steger, Catherine Celeste, 1992 Personal communication.
61. Taliaferro, Susan Crosby, 1993, Letters and data from.
62. Taylor Family and Other Family Records, Kentucky Building Library, Western Kentucky University, Bowling Green, Ky.
63. Tichenor, Thomas Cherry, 1986-87-91 Personal communication.
64. Tombstone Records, Fairview Cemetery, Bowling Green, Ky.
65. Tombstone Records, Hall's Chapel Cemetery, Warren Co., Ky.
66. Venard, Mrs. Haskell, Garden Gateways, Bull. Garden Club of Georgia, Winter Issue 1989-90.
67. The Warners of England: The Descendents of Andrew Warner, 1918.
68. Weldon, J. W., Memoirs of J. T. Cherry, in minutes of the Louisville Annual Conference, pg. 70-1, 1936, Louisville, Ky.
69. Warner, Jesse L., The Coneto Creek Taylors, published by J. Grant Stevenson, Provo, Utah, 1973.
70. Wolfson, Andrew, Accident Prone? Courier Journal, Nov. 1991.